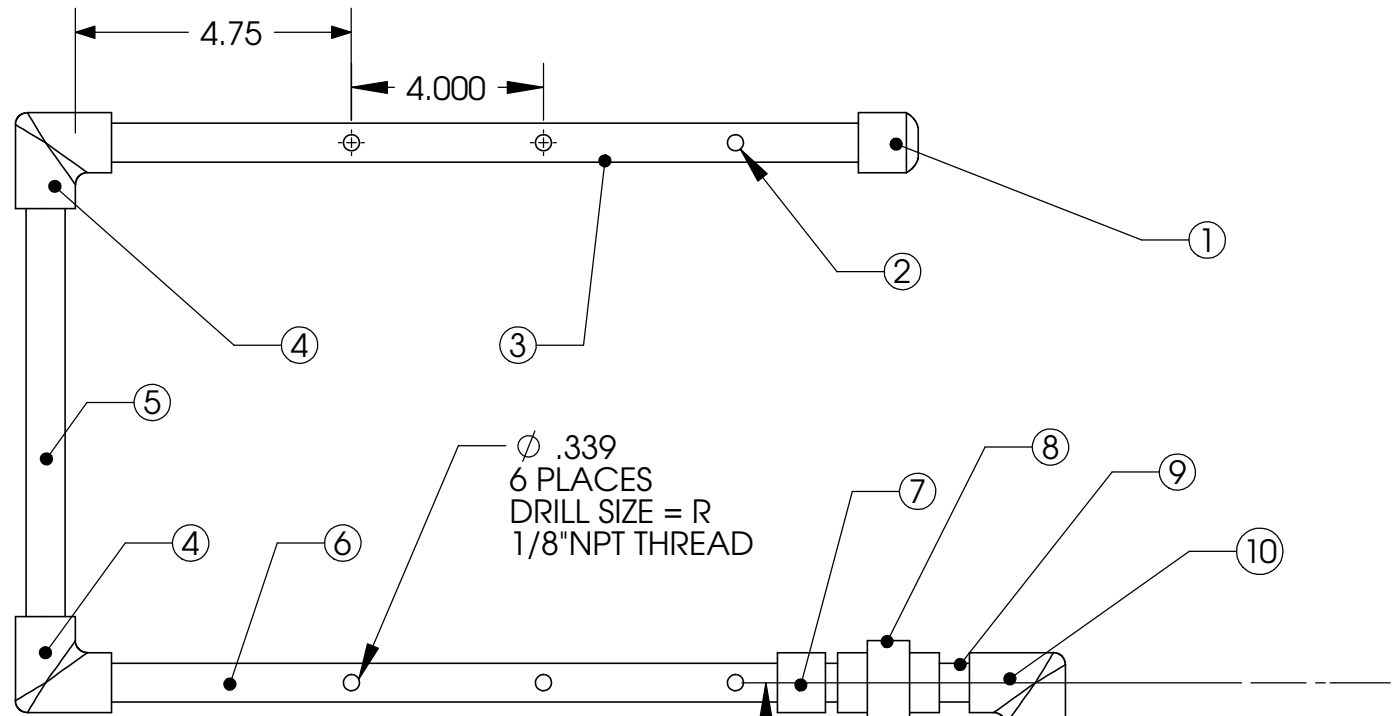
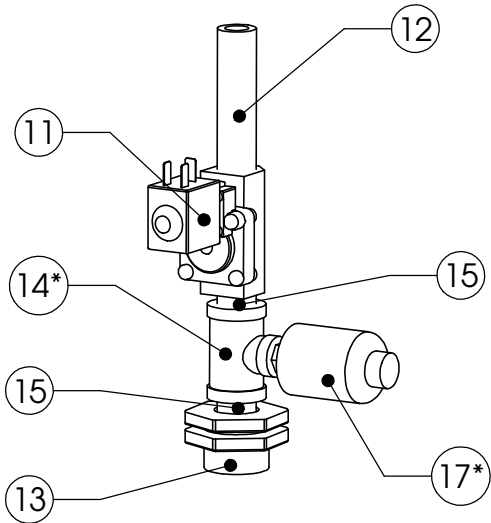
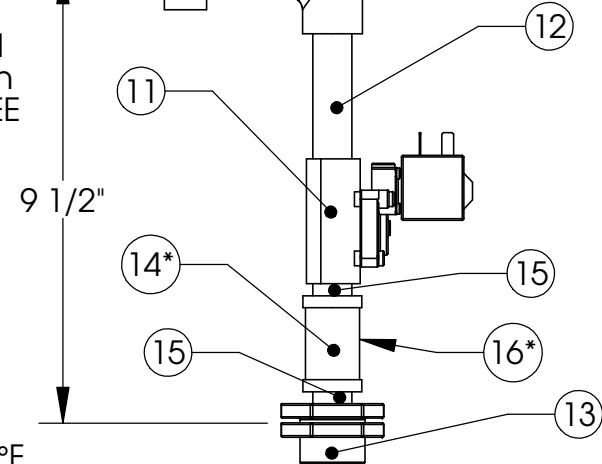


# Freeze Protection Option Detail:



\*NOTE: Pressure Switch is only installed on units with Freeze protection option. 1/4" connection on TEE is plugged in all standard non-freeze-protection cases.



NOTES:  
 Max. Water Pressure: 50 psi. @ 70°F  
 Max. Water Temperature: 125°F  
 Max. Water Flow Rate: 3 GPH  
 Max. Temp. Depression: 30°F @ 3333 CFM

### BILL OF MATERIALS

ITEM NUMBER	Description	Quantity
1	1/2" PVC CAP	1
2	CC-213 2.0 GPH ANTI-DRIP NOZZLE	6
3	1/2" x 17-1/4" SMOOTH PVC PIPE	1
4	1/2" PVC SMOOTH ELBOW	2
5	1/2" x 10" SMOOTH PVC PIPE	1
6	1/2" x 14-3/4" SMOOTH PVC PIPE	1
7	1/2" PVC MALE NPT x SOCKET	1
8	1/2" PVC NPT UNION	1
9	1/2" x 1-1/4" PVC CLOSE NPT NIPPLE	2
10	1/2" NPT 90° BRASS ELBOW	1
11	L180B33Z610A 1/2" SOLENOID VALVE	1
12	1/2" x 4" NPT BRASS NIPPLE	1
13	1/2" QUICK SEAL (32-00002)	1
14*	1/2" X 1/4" X 1/2" NPT BRASS TEE (4429K226)	1
15	1/2" CLOSE NPT BRASS NIPPLE (4568K171)	2
16*	1/4" NPT BRASS PLUG (50785K253)	1
17*	1/4" CONNECTION RESSURE SWITCH (EC260)	1

Material: N/A  
 Blank Size: N/A x N/A  
 Weight: N/A lbs

Part Number: N/A  
 MACOLA/AX Number:  
 Drawing Name: EC 1 Tubing Assembly  
 Drawn By: BRH  
 Parent Assembly: EC 1  
 Sheet: 1 of 2

Unless Otherwise Specified  
 Dimensions are in Inches.

Standard Tolerances are:  
 Fractions: ±1/16  
 Decimal: .XX±.05  
 .XXX±.015  
 Angles: ±1°

**CONFIDENTIAL**